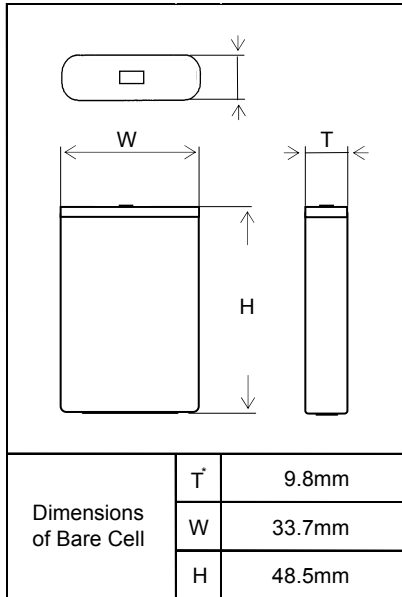




Cell Type UF103450P

Specifications



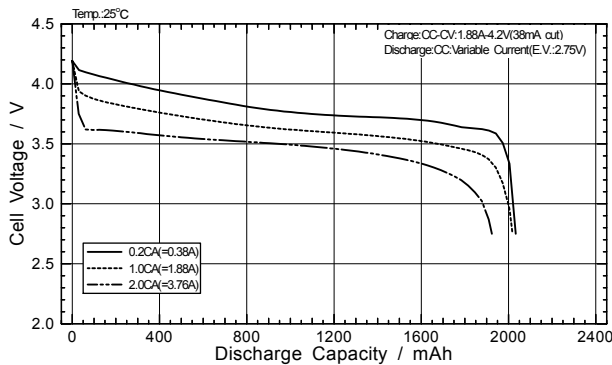
Nominal Capacity		1880mAh
Nominal Voltage		3.7V
Charging Method		Constant Current -Constant Voltage
Charging Voltage		4.2V
Charging Current		Std. 1880mA
Charging Time		2.5hrs.
Ambient Temperature	Charge	0~+40°C
	Discharge	-20~+60°C
	Storage	-20~+50°C
Weight (Max.)		38.5g
Dimensions (Max.) With PET	(T)**	10.60mm
	(W)	33.90mm
	(H)	48.80mm
Volumetric Energy Density		402Wh/l
Gravimetric Energy Density		181Wh/kg

*Discharged State after Assembling

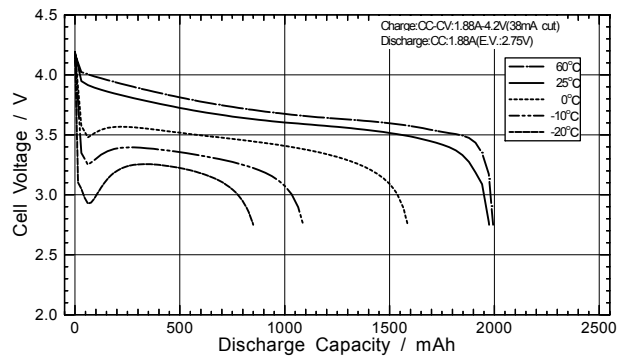
**The maximum thickness of the standard shipment charging condition

Typical Characteristics

Discharge rate characteristics



Discharge temperature characteristics



Charge characteristics

