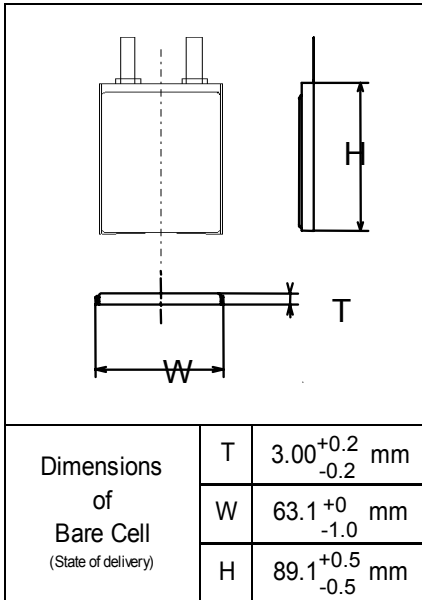




# Cell Type UPF336489

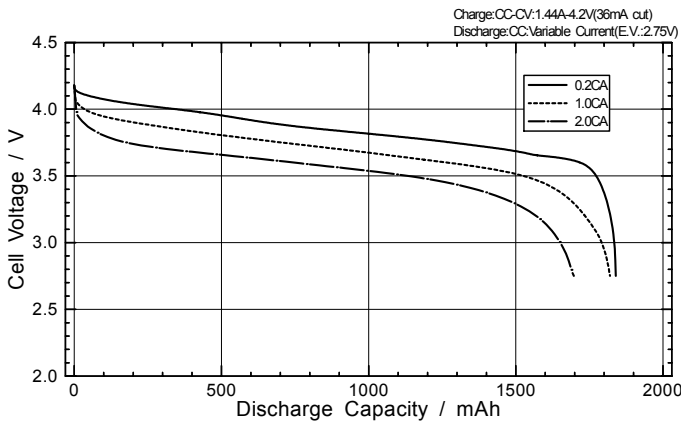
## Specifications



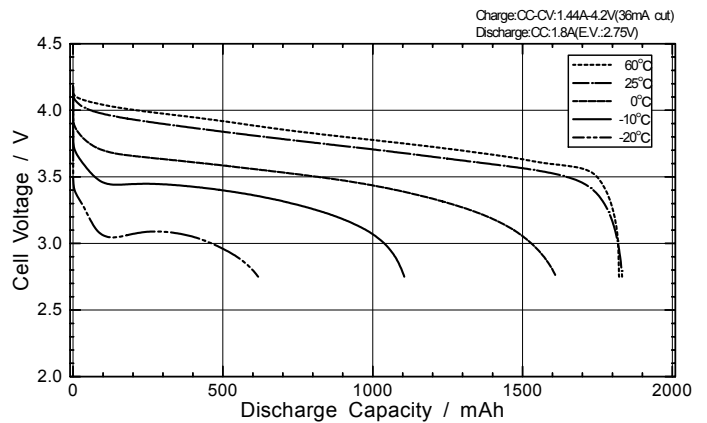
Nominal Capacity		1720mAh
Typical Capacity		1800mAh
Nominal Voltage		3.7V
Charging Method		Constant Current -Constant Voltage
Charging Voltage		4.2V
Charging Current		Std.1440mA
Charging Time		3.0hrs.
Ambient Temperature	Charge	0 ~ +40deg.C
	Discharge	-20 ~ +60deg.C
	Storage	-20 ~ +60deg.C
Weight (Approx.)		38.0 g
Dimensions (w/o tube, Max.)	(T) *	3.20mm
	(W)	63.1mm
	(H)	89.6mm
Volumetric Energy Density		352Wh/l
Gravimetric Energy Density		167Wh/kg

### Typical Characteristics

#### Discharge rate characteristics



#### Discharge temperature characteristics



#### Charge characteristics

